



**Avoid delays,  
order your  
official calf  
tags now!**

## → NAIT Best advice!

- Get your NAIT number (0800 624 843) or call your rural retail store for advice
- Ensure all cattle moving have a NAIT tag
- From the 25/8/2016 you must indicate a species designation

Please tick (✓)

|                |                          |
|----------------|--------------------------|
| Cattle - BEEF  | <input type="checkbox"/> |
| Cattle - DAIRY | <input type="checkbox"/> |
| Deer - VENISON | <input type="checkbox"/> |
| Deer - VELVET  | <input type="checkbox"/> |
| Deer - TROPHY  | <input type="checkbox"/> |

Send to:

Charge through (Reseller):

NAIT No.:

Order No.:

# NAIT Compliance Packs order form

## Replacement Tags

Cattle tags white only.  
For animals that lose their birth tag.



Please tick one, defaults to Cattle unless otherwise specified

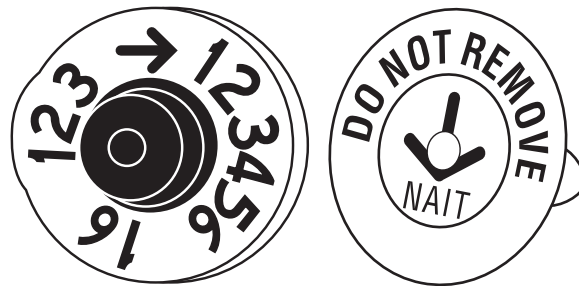
Cattle  Deer

Qty required

HDX – high performance

FDX – low cost

## NAIT Birth Tags Cattle tags white only



Please tick one, defaults to Cattle unless otherwise specified

Cattle  Deer

Please tick one. Defaults to FDX unless indicated

HDX – high performance

FDX – low cost

Qty required

Year code (if required)

Range (ie 1-100 etc.)

**Note: NAIT Deer Tags** – female is orange and male has a colour choice other than white. Indicate colour:

## Matching Management Tag sets (paired to the NAIT tag)

Please tick one, defaults to Cattle unless otherwise specified

Cattle  Deer

Please tick one. Defaults to FDX unless indicated

HDX – high performance

FDX – low cost

Qty required

Year code (if required)

Range (ie 1-100 etc.)



Size options (tick one)

FRONT tag      BACK tag

Medium + Button (Economy pack)

Button + Button

Medium + Medium

Large + Button

Large + Medium

Large + Large

Maxi + Button

Maxi + Large

Maxi + Maxi



Indicate FRONT tag colour

Indicate BACK tag colour

Animal No.

Custom No.

Animal No.

Blank

Farm name FRONT

Farm name BACK

**Management Tag colours:** Yellow, Orange, Red, Pink, White, Green, Blue, Purple, Brown, Black

**Have you got the correct NAIT applicator?**



Identiplier



EID Lazamatic

Upper North Island: John Rutherford 0274 465 508 • Lower North Island: Mark McManaway 027 517 6693  
Upper South Island: Vicki Hassall 027 556 7779 • Lower South Island: Steve Kelly 027 560 2699



# NON-OFFICIAL TAG ORDER FORM

Please complete and return this order form to your nearest farm supply store.

Send to:

---



---

Phone: \_\_\_\_\_ Fax: \_\_\_\_\_

Charge to:

---



---

Phone: \_\_\_\_\_ O/N: \_\_\_\_\_

| Product/tag sizes | Quantity | Colour | Number range (i.e. 1-100) |
|-------------------|----------|--------|---------------------------|
|                   |          |        |                           |
|                   |          |        |                           |
|                   |          |        |                           |
|                   |          |        |                           |
|                   |          |        |                           |
|                   |          |        |                           |
|                   |          |        |                           |
|                   |          |        |                           |
|                   |          |        |                           |
|                   |          |        |                           |

Laser Plus  Laza Marking  Hot Foil Marking  **Note:** all Laser tags Laser Plus marked unless specified otherwise

## PANEL TAGS

**MEDIUM**

Male Code **3**  
Female Code **4**

**LARGE**

Male Code **5**  
Female Code **6**

**MAXI**

Male Code **7**  
Female Code **8**

**BUTTON**

Male Code **1**  
Female Code **2**

**MINI**

Male Code **9**  
Female Code **10**

Not available in Orange

**OVINA**

Male Code **15**  
Female Code **16**

**SMALL**

Male Code **11**  
Female Code **12**

**COLOURS**

Yellow  
White  
Orange  
Blue  
Green  
Red  
Purple  
Pink  
Black  
Brown

**SUPER MAXI**

Female Code **14**

Tags shown at approximately actual size

### NEW!




**IDENTIPLIER**  
Code **22133**




**SAFETY EAR TAG REMOVAL KNIFE**  
Code **00100**


### APPLICATORS




**UNIVERSAL**  
Code **22139**




**LAZAMATIC**  
Code **22141**




**ONE SHOT**  
Code **19213**




**FLEXIMATIC**  
Code **15765**



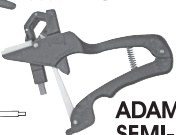
**FLEXITAGGER**  
Code **15929**



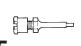
**FLOCKTAGGER**  
Code **19317**




**ADAMATIC MANUAL**  
Code **00448**



**ADAMATIC SEMI-AUTO**  
Code **00447**



**SPARE PIN**  
Code **03645**



**2-IN-1 TAG PEN**  
Combination fine and broad tip  
Code **00194**

### FLOCK TAG

Code **FF**


Colours available: yellow, white, orange, red, green, blue, brown, black, purple, pink



### FLEXITAG

Code **FX**

Colours available: yellow, white, orange, red, green, blue, brown, black, purple, pink



### ADAMATIC TAG

Code **RX**

Colours available: yellow, white, orange, red, green, blue, brown, black, purple, pink



### BRASS TAG

Available in  
Brass Code **FB**  
Nickel Code **FN**

